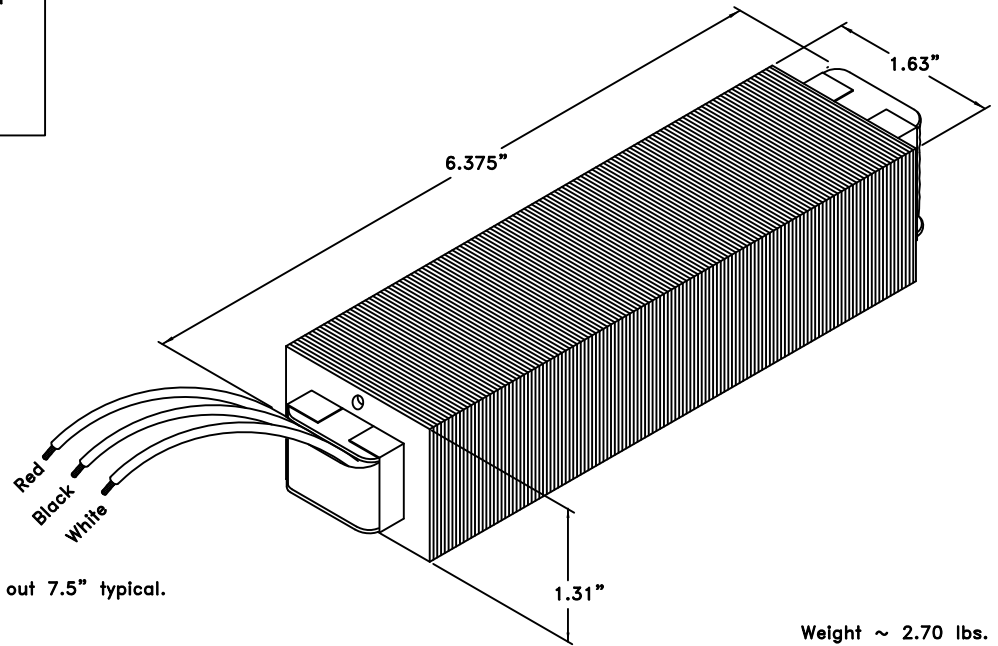
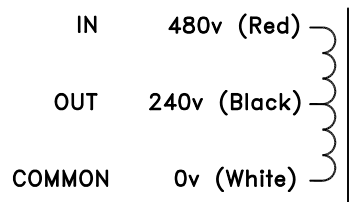


Transformer Schematic



210083 SPECIFICATIONS:

UL Recognized to CSA C22.2 No. 66 and UL 5085.

Primary/Input: 480V, 60Hz, 190W, 0.40A @ Full/Rated Load.

Secondary/Output:

- Open Circuit= 240V \pm 2%, 5.2W
- Full/Rated Load= 225V \pm 2%, 170VA (170W/.75A resistive load)

DC Resistance

- Primary (white-red): 66 ohms nominal.
- Secondary (white-black): 34 ohms nominal.

Dielectric Strength: Winding to Core 3000V, 60Hz, 1 sec.

Load Regulation: 6% typ.

Efficiency: 90% typ. @ 480Vin, 175VA load.

Insulation System: UL Recognized for Class B (130°C).

Environmental Temperature Rating: -20°C to +50°C.

Surface Temperature Rise (typ): 76°C @ 25°C Ambient.

MTBF (based on MIL Handbook 217F): Min 50 yrs @ rated specification.

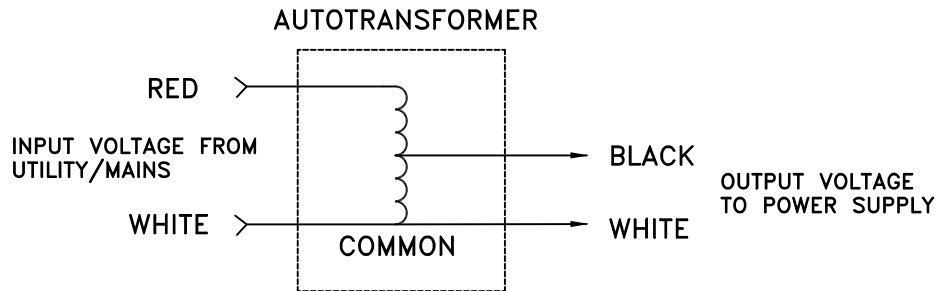


TITLE:

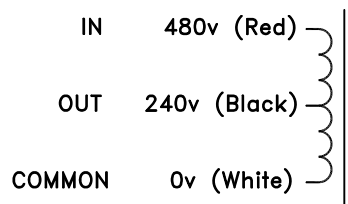
210083 OUTLINE DRAWING



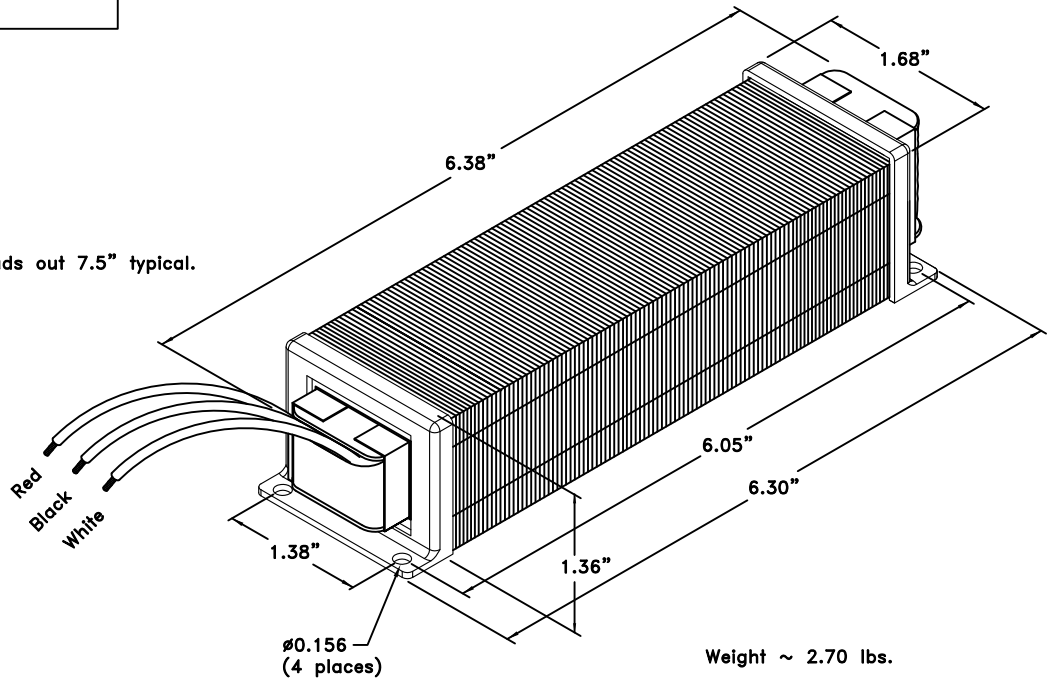
E Craftsmen
CUSTOM TRANSFORMERS AND INDUCTORS



Transformer Schematic



#18 awg Leads out 7.5" typical.



210083M SPECIFICATIONS:

UL Recognized to CSA C22.2 No. 66 and UL 5085.

Primary/Input: 480V, 60Hz, 190W, 0.40A @ Full/Rated Load.

Secondary/Output:

- Open Circuit= 240V ±2%, 5.2W
- Full/Rated Load= 225V ±2%, 170VA (170W/.75A resistive load)

DC Resistance

- Primary (white-red): 66 ohms nominal.
- Secondary (white-black): 34 ohms nominal.

Dielectric Strength: Winding to Core 3000V, 60Hz, 1 sec.

Load Regulation: 6% typ.

Efficiency: 90% typ. @ 480Vin, 175VA load.

Insulation System: UL Recognized for Class B (130°C).

Environmental Temperature Rating: -20°C to +50°C.

Surface Temperature Rise (typ): 76°C @ 25°C Ambient.

MTBF (based on MIL Handbook 217F): Min 50 yrs @ rated specification.



TITLE:

210083M OUTLINE DRAWING



E Craftsmen
CUSTOM TRANSFORMERS AND INDUCTORS