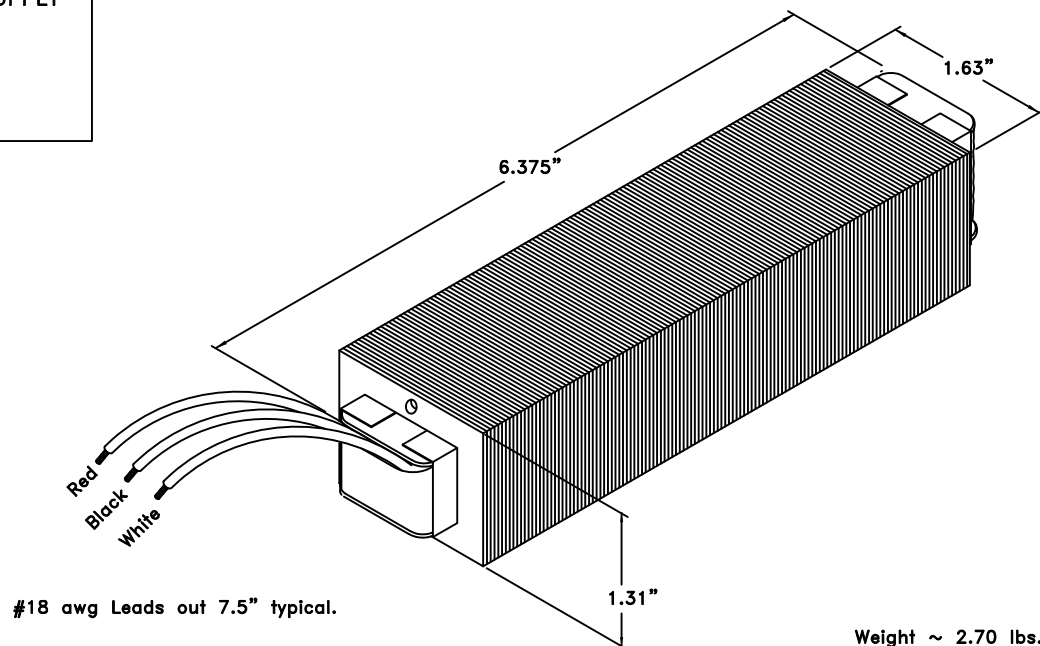
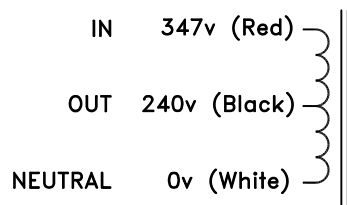


Transformer Schematic



Weight ~ 2.70 lbs.

210043 SPECIFICATIONS:

UL Recognized to CSA C22.2 No. 66 and UL 5085.

Primary/Input: 347V, 60Hz, 260W, 0.75A @ Full/Rated Load.

Secondary/Output:

- Open Circuit= 240V ±2% , 4.3W
- Full/Rated Load= 230V ±2% , 240VA (240W/1.05A resistive load)

DC Resistance

- Primary (white-red): 50 ohms nominal.
- Secondary (white-black): 43 ohms nominal.

Dielectric Strength: Winding to Core 3000V, 60Hz, 1 sec.

Load Regulation: 4% typ.

Efficiency: 93% typ. @ 347Vin, 240VA load.

Insulation System: UL Recognized for Class B (130°C).

Environmental Temperature Rating: -20°C to +50°C.

Surface Temperature Rise (typ): 64°C @ 25°C Ambient.

MTBF (based on MIL Handbook 217F): Min 50 yrs @ rated specification.



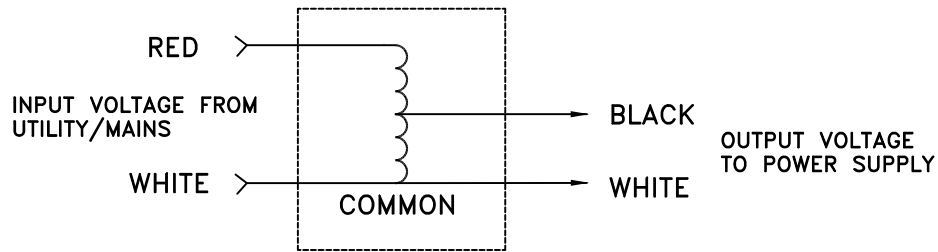
TITLE:

210043 OUTLINE DRAWING

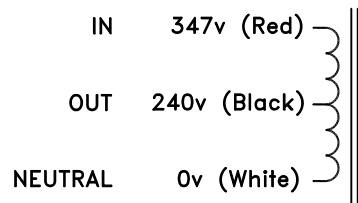


E Craftsmen
CUSTOM TRANSFORMERS AND INDUCTORS

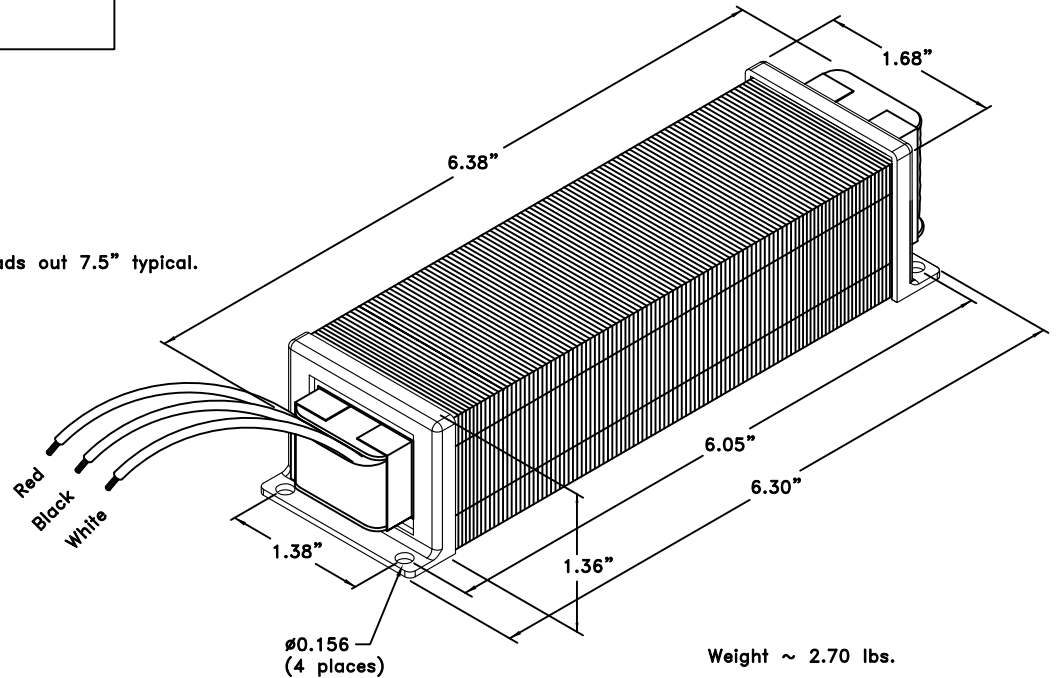
AUTOTRANSFORMER



Transformer Schematic



#18 awg Leads out 7.5" typical.



210043M SPECIFICATIONS:

UL Recognized to CSA C22.2 No. 66 and UL 5085.

Primary/Input: 347V, 60Hz, 260W, 0.75A @ Full/Rated Load.

Secondary/Output:

- Open Circuit= 240V \pm 2%, 4.3W
- Full/Rated Load= 230V \pm 2%, 240VA (240W/1.05A resistive load)

DC Resistance

- Primary (white-red): 50 ohms nominal.
- Secondary (white-black): 43 ohms nominal.

Dielectric Strength: Winding to Core 3000V, 60Hz, 1 sec.

Load Regulation: 4% typ.

Efficiency: 93% typ. @ 347Vin, 240VA load.

Insulation System: UL Recognized for Class B (130°C).

Environmental Temperature Rating: -20°C to +50°C.

Surface Temperature Rise (typ): 64°C @ 25°C Ambient.

MTBF (based on MIL Handbook 217F): Min 50 yrs @ rated specification.



TITLE:

210043M OUTLINE DRAWING



E Craftsmen
CUSTOM TRANSFORMERS AND INDUCTORS