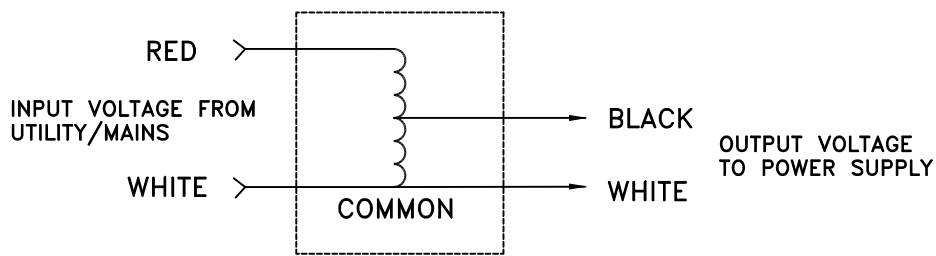
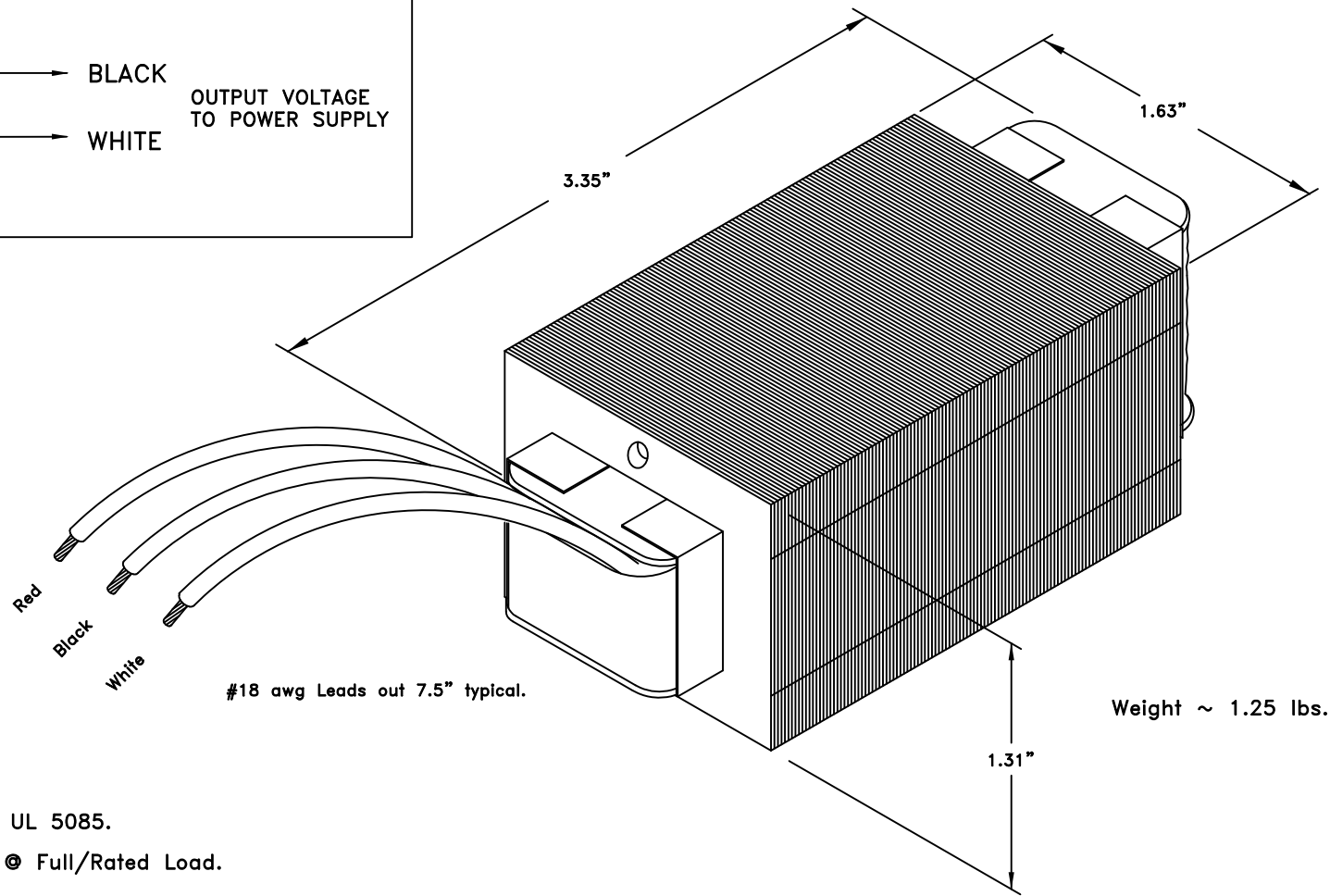
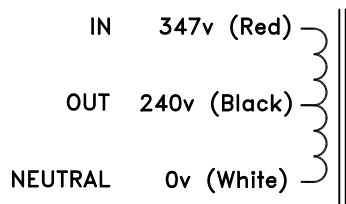


### AUTOTRANSFORMER



### Transformer Schematic



### 210042 SPECIFICATIONS:

UL Recognized to CSA C22.2 No. 66 and UL 5085.

Primary/Input: 347V, 60Hz, 108W, 0.31A @ Full/Rated Load.

Secondary/Output:

- Open Circuit= 240V ±2%, 1.7W
- Full/Rated Load= 230V ±2%, 100VA (100W/0.43A resistive load)

DC Resistance

- Primary (white-red): 148 ohms nominal.
- Secondary (white-black): 131 ohms nominal.

Dielectric Strength: Winding to Core 3000V, 60Hz, 1 sec.

Load Regulation: 4% typ.

Efficiency: 93% typ. @ 347Vin, 100VA load.

Insulation System: UL Recognized for Class B (130°C).

Environmental Temperature Rating: -20°C to +50°C.

Surface Temperature (typ): 54°C @ 25°C Ambient.

MTBF (based on MIL Handbook 217F): Min 50 yrs @ rated specification.



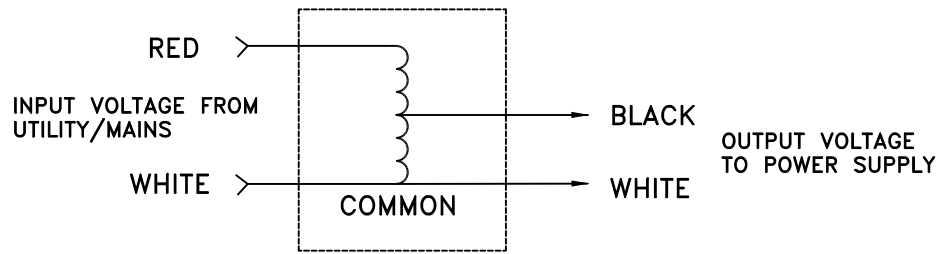
TITLE:

210042 OUTLINE DRAWING

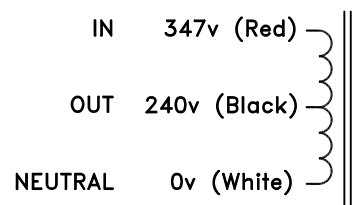


**E Craftsmen**  
CUSTOM TRANSFORMERS AND INDUCTORS

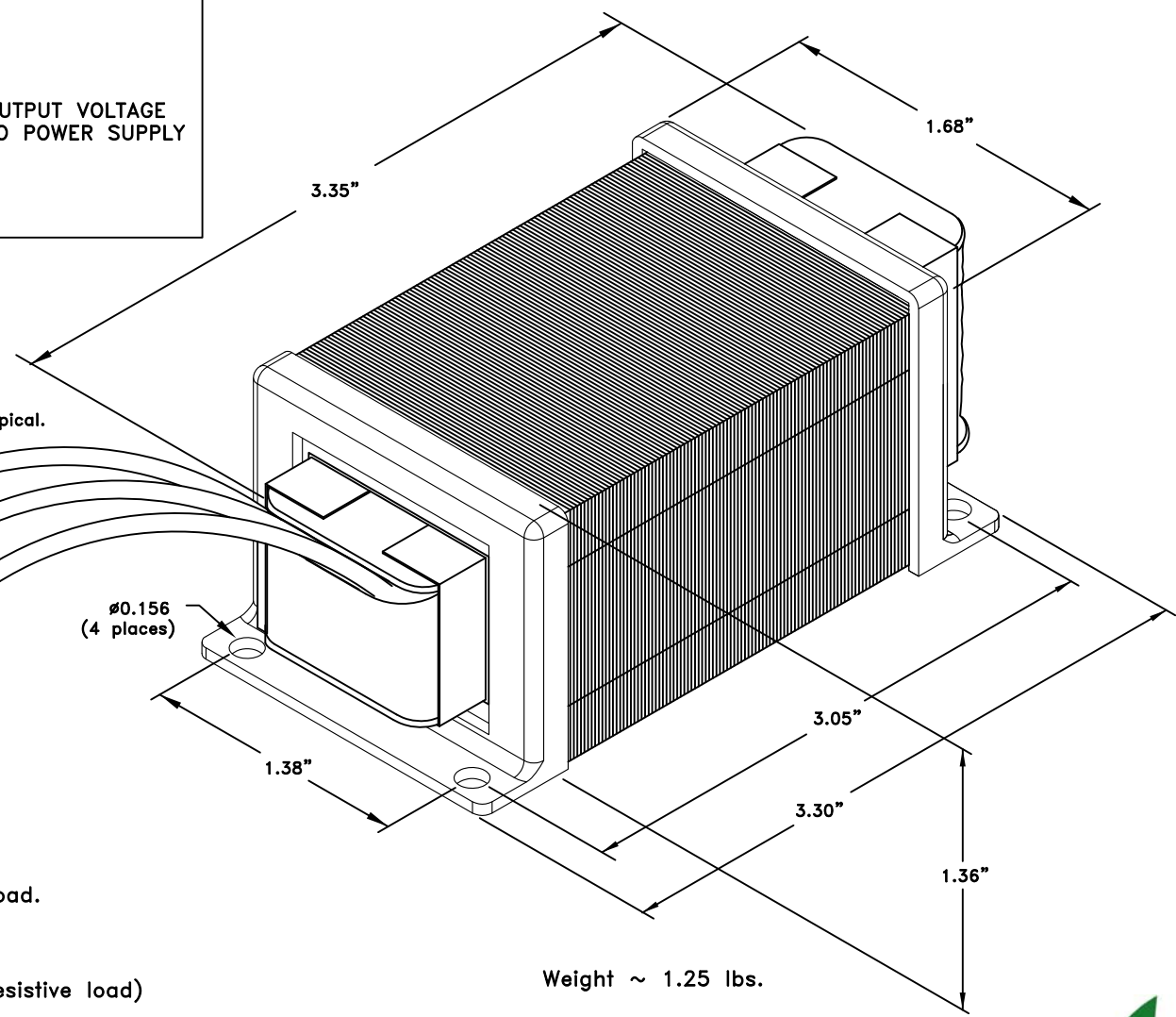
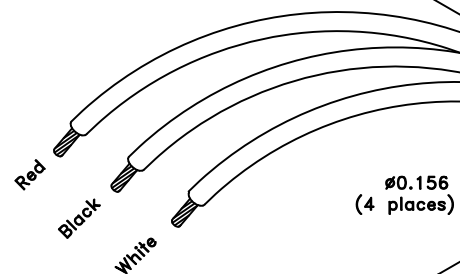
**AUTOTRANSFORMER**



**Transformer Schematic**



#18 awg Leads out 7.5" typical.



**210042M SPECIFICATIONS:**

UL Recognized to CSA C22.2 No. 66 and UL 5085.

Primary/Input: 347V, 60Hz, 108W, 0.31A @ Full/Rated Load.

Secondary/Output:

- Open Circuit= 240V  $\pm 2\%$ , 1.7W
- Full/Rated Load= 230V  $\pm 2\%$ , 100VA (100W/0.43A resistive load)

DC Resistance

- Primary (white-red): 148 ohms nominal.
- Secondary (white-black): 131 ohms nominal.

Dielectric Strength: Winding to Core 3000V, 60Hz, 1 sec.

Load Regulation: 4% typ.

Efficiency: 93% typ. @ 347Vin, 100VA load.

Insulation System: UL Recognized for Class B (130°C).

Environmental Temperature Rating: -20°C to +50°C.

Surface Temperature (typ): 54°C @ 25°C Ambient.

MTBF (based on MIL Handbook 217F): Min 50 yrs @ rated specification.



TITLE:

210042M OUTLINE DRAWING



**E Craftsmen**  
CUSTOM TRANSFORMERS AND INDUCTORS

**SPECIFICATIONS:**

UL Listed to CSA C22.2 No. 66.1, 66.2 and UL5085-1, UL5085-2.

Primary/Input: 347V, 60Hz, 108W, 0.31A @ Full/Rated Load.

Secondary/Output:

- Open Circuit= 240V ±2%, 1.70W
- Full/Rated Load= 230V ±2%, 100VA (100W/0.43A resistive load)

DC Resistance

- Primary (white-red): 148 ohms nominal.
- Secondary (white-black): 131 ohms nominal.

Dielectric Strength: Winding to Core 3000V, 60Hz, 1 sec.

Load Regulation: 4% typ.

Efficiency: 93% typ. @ 347Vin, 100VA load.

Insulation System: Class B (130°C).

Environmental Temperature Rating: -40°C to +60°C.

Surface Temperature (typ): 54°C @ 25°C Ambient, Full load.

MTBF (based on MIL Handbook 217F): Min 50 yrs @ rated specification.

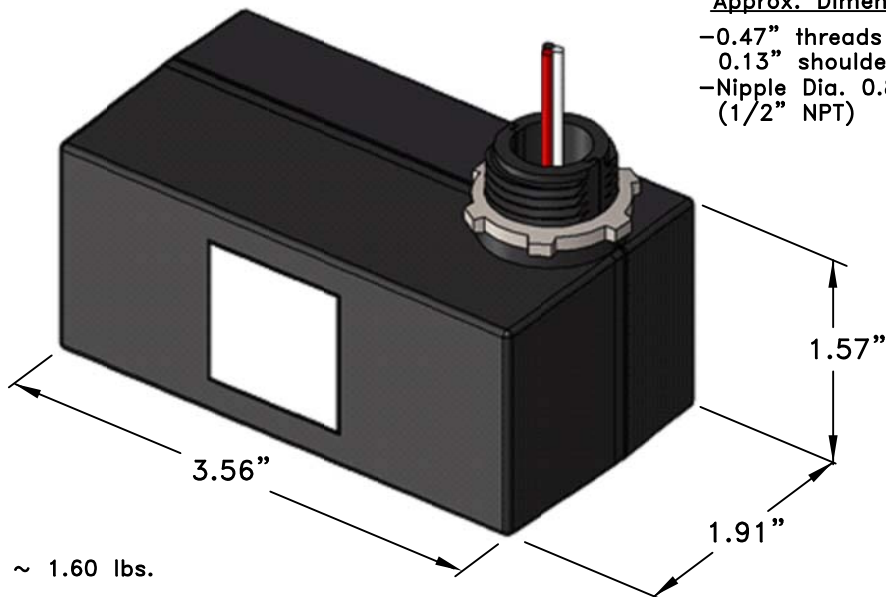
Housing- Black Zytel FR50 (plastic)

Suitable for IP66 rated applications.

#18 awg Leads  
out 6.0" minimum.

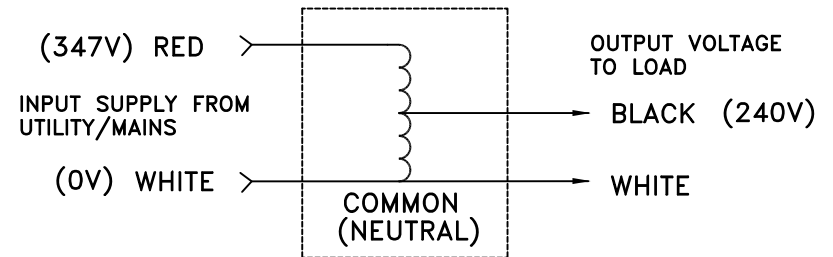
Approx. Dimensions

- 0.47" threads above
- 0.13" shoulder
- Nipple Dia. 0.82"  
(1/2" NPT)



Weight ~ 1.60 lbs.

**AUTOTRANSFORMER**



Note: "FB" version has an internal auto reset 110°C thermal protector in series with the "RED" input lead.

"EB" version does not have an internal fuse.

INSTALLATION INSTRUCTIONS:

Mechanical: This transformer is typically used for external assembly to a lighting fixture enclosure.

- Remove the metal lock-nut from the threaded nipple.
- Insert the threaded nipple and the lead-wires through a hole or standard knock-out in the fixture enclosure.
- Secure the transformer inside of the enclosure using the lock-nut on the threaded nipple; hand tighten.
- Note: Take care not to over-tighten the locknut to avoid damage to the housing.

Electrical: Connect the Red/White leads to the Supply and the Black/White leads to the Load per the AUTOTRANSFORMER drawing above.

- Note that the "White" lead is the Neutral and is common to both the Input Supply and Output to Load.

E359128



AUTOTRANSFORMER



TITLE:

210042EB & 210042FB OUTLINE DRAWING



**E Craftsmen**  
CUSTOM TRANSFORMERS AND INDUCTORS