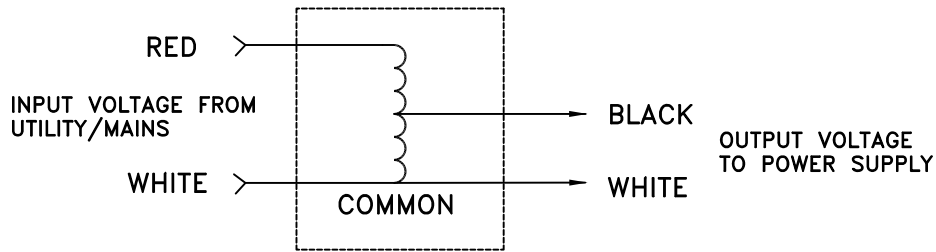
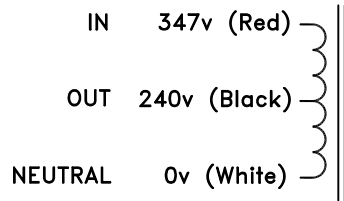


### AUTOTRANSFORMER



### Transformer Schematic



### 210041 SPECIFICATIONS:

UL Recognized to CSA C22.2 No. 66 and UL 5085.

Primary/Input: 347V, 60Hz, 53W, 0.15A @ Full/Rated Load.

Secondary/Output:

- Open Circuit= 240V  $\pm$ 2%, 0.3W
- Full/Rated Load= 225V  $\pm$ 2%, 50VA (50W/0.22A resistive load)

DC Resistance

- Primary (white-red): 480 ohms nominal.
- Secondary (white-black): 420 ohms nominal.

Dielectric Strength: Winding to Core 3000V, 60Hz, 1 sec.

Load Regulation: 6.5% typ.

Efficiency: 94% typ. @ 347Vin, 50VA load.

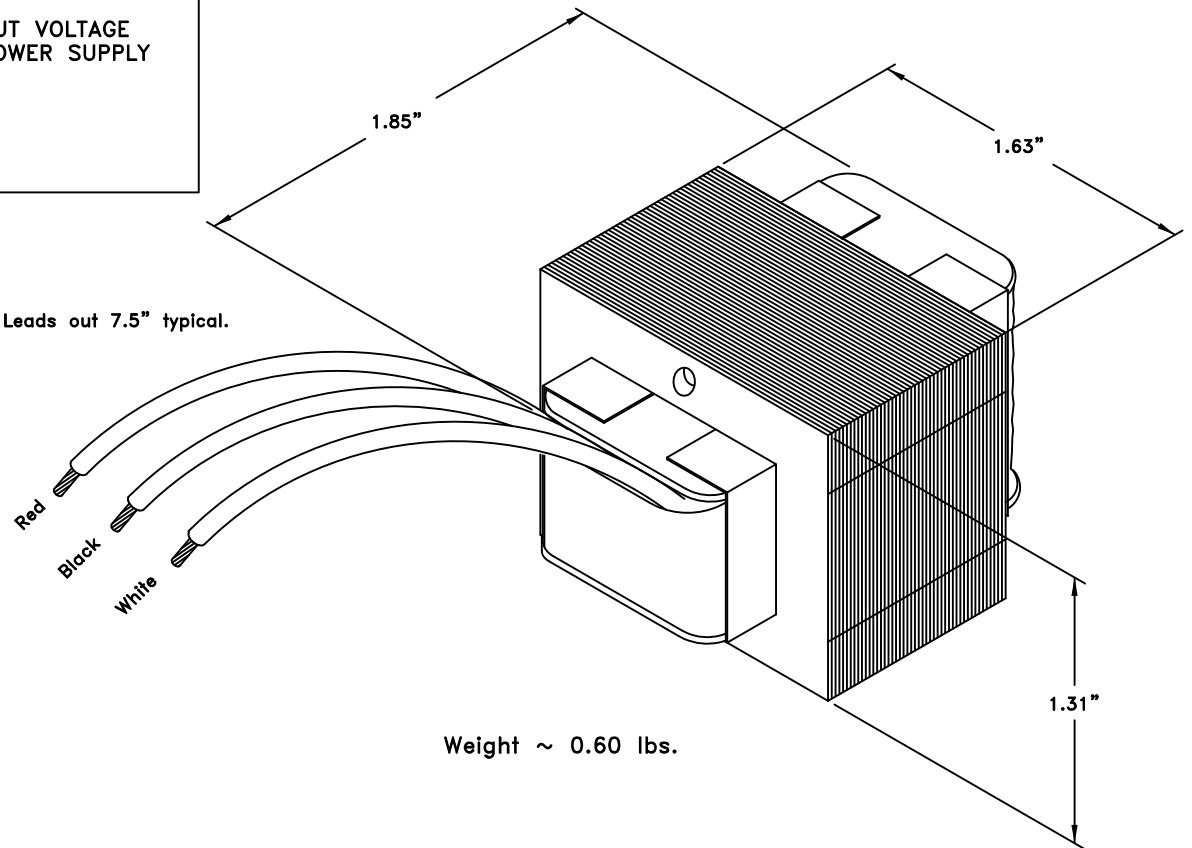
Insulation System: UL Recognized for Class B (130°C).

Environmental Temperature Rating: -20°C to +50°C.

Surface Temperature (typ): 56°C @ 25°C Ambient.

MTBF (based on MIL Handbook 217F): Min 50 yrs @ rated specification.

#18 awg Leads out 7.5" typical.



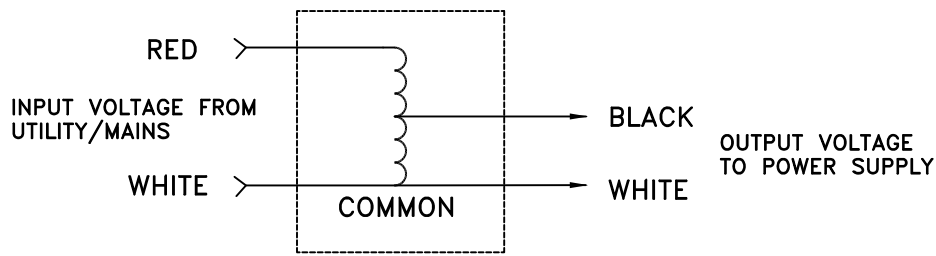
TITLE:

210041 OUTLINE DRAWING

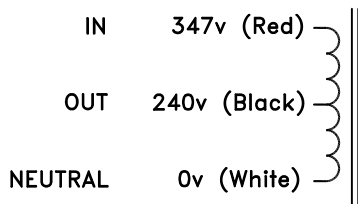


**E Craftsmen**  
CUSTOM TRANSFORMERS AND INDUCTORS

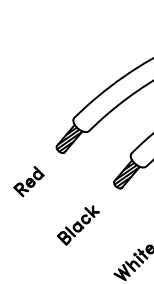
### AUTOTRANSFORMER



### Transformer Schematic

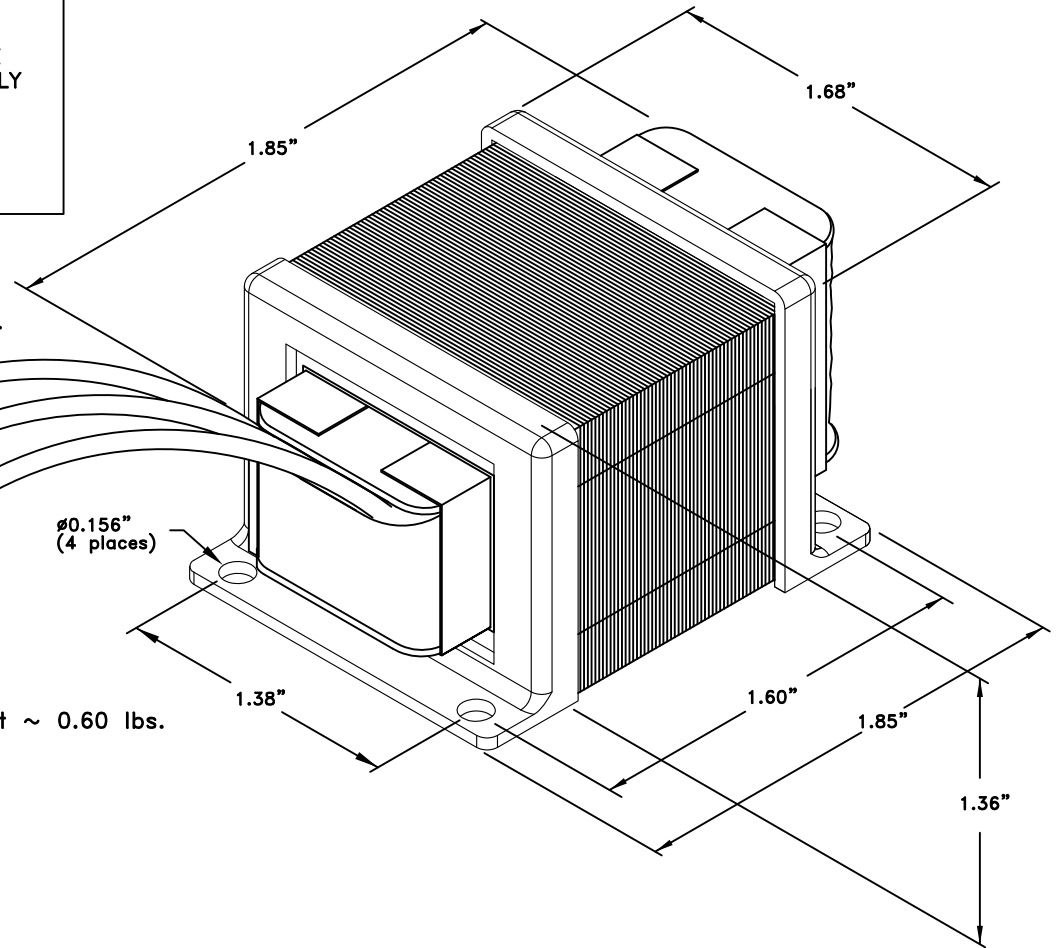


#18 awg Leads out 7.5" typical.



Ø0.156" (4 places)

Weight ~ 0.60 lbs.



### 210041M SPECIFICATIONS:

UL Recognized to CSA C22.2 No. 66 and UL 5085.

Primary/Input: 347V, 60Hz, 53W, 0.15A @ Full/Rated Load.

Secondary/Output:

- Open Circuit= 240V ±2%, 0.3W
- Full/Rated Load= 225V ±2%, 50VA (50W/0.22A resistive load)

DC Resistance

- Primary (white-red): 480 ohms nominal.
- Secondary (white-black): 420 ohms nominal.

Dielectric Strength: Winding to Core 3000V, 60Hz, 1 sec.

Load Regulation: 6.5% typ.

Efficiency: 94% typ. @ 347Vin, 50VA load.

Insulation System: UL Recognized for Class B (130°C)

Environmental Temperature Rating: -20°C to +50°C.

Surface Temperature (typ): 56°C @ 25°C Ambient.

MTBF (based on MIL Handbook 217F): Min 50 yrs @ rated specification.



TITLE:

210041M OUTLINE DRAWING



**E Craftsmen**  
CUSTOM TRANSFORMERS AND INDUCTORS

**SPECIFICATIONS:**

UL Listed to CSA C22.2 No. 66.1, 66.2 and UL5085-1, UL5085-2.

Primary/Input: 347V, 60Hz, 53W, 0.15A @ Full/Rated Load.

Secondary/Output:

- Open Circuit= 240V ±2%, 0.3W
- Full/Rated Load= 225V ±2%, 50VA (50W/0.22A resistive load)

DC Resistance

- Primary (white-red): 480 ohms nominal.
- Secondary (white-black): 420 ohms nominal.

Dielectric Strength: Winding to Core 3000V, 60Hz, 1 sec.

Load Regulation: 6.5% typ.

Efficiency: 94% typ. @ 347Vin, 50VA load.

Insulation System: Class B (130°C).

Environmental Temperature Rating: -40°C to +60°C.

Surface Temperature (typ): 54°C @ 25°C Ambient, Full load.

MTBF (based on MIL Handbook 217F): Min 50 yrs @ rated specification.

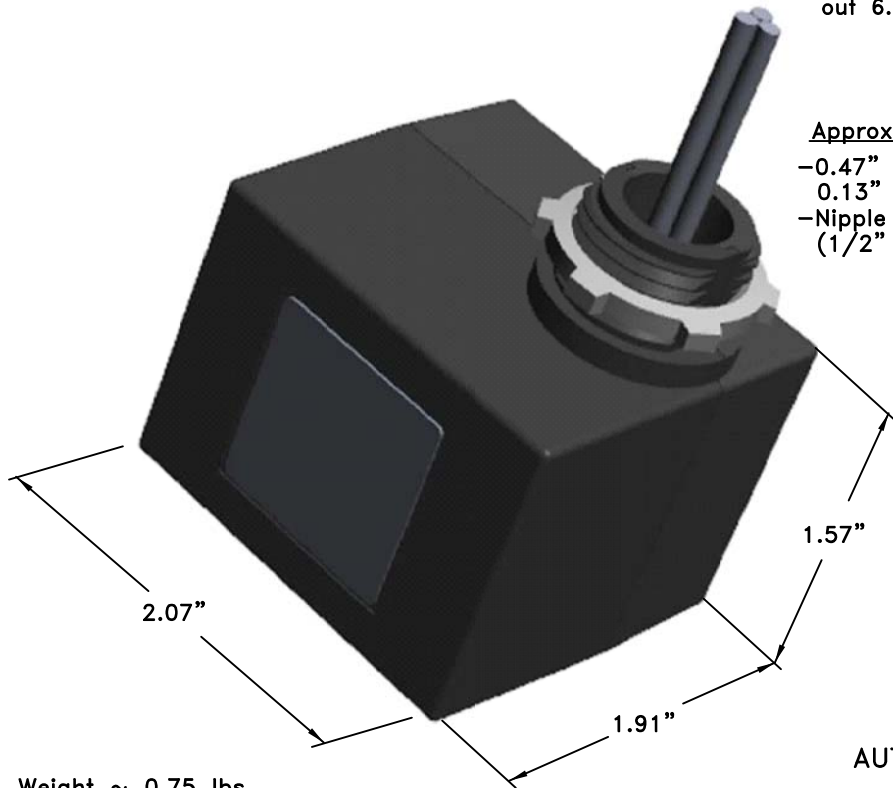
Housing- Black Zytel FR50 (plastic)

Suitable for IP66 rated applications.

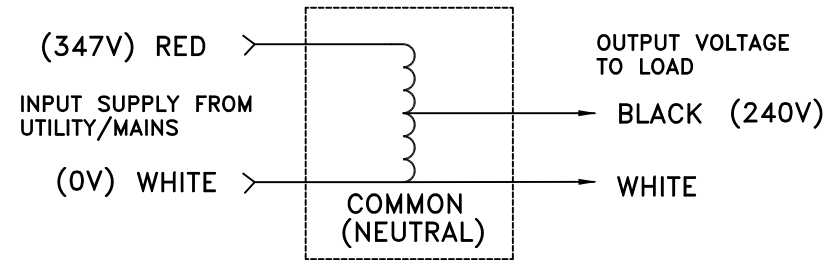
#18 awg Leads  
out 6.0" minimum.

Approx. Dimensions

- 0.47" threads above  
0.13" shoulder
- Nipple Dia. 0.82"  
(1/2" NPT)



**AUTOTRANSFORMER**



Note: "FB" version has an internal auto reset 110°C thermal protector in series with the "RED" input lead.

"EB" version does not have an internal fuse.

INSTALLATION INSTRUCTIONS:

Mechanical: This transformer is typically used for external assembly to a fixture enclosure.

- Remove the metal lock-nut from the threaded nipple.
- Insert the threaded nipple and the lead-wires through a hole or standard knock-out in the fixture enclosure.
- Secure the transformer inside of the enclosure using the lock-nut on the threaded nipple; hand tighten.
- Note: Take care not to over-tighten the lock-nut to avoid damage to the housing.

Electrical: Connect the Red/White leads to the Supply and the Black/White leads to the Load per the AUTOTRANSFORMER drawing above.

- Note that the "White" lead is the Neutral and is common to both the Input Supply and Output to Load.

TITLE:

210041EB & 210041FB OUTLINE DRAWING



**E Craftsmen**  
CUSTOM TRANSFORMERS AND INDUCTORS